

Delta UPS Amplon Family

RT Gen3 Series, Single Phase, 1/2/3 kVA

Safeguard your edge with a smart and economical power solution

Delta's Amplon RT series UPS is a robust online double-conversion UPS offering strong power protection with a convertible rack and tower configuration in 2U size. With its clean output power in pure sine wave, RT Gen3 can handle a wide range of utility problems, from blackout to harmonic distortion. Rest assured that your device is always fortified and safeguarded with RT Gen3!



High Availability

- True online double-conversion topology and zero transfer time to battery mode
- Operates at up to 50 °C adapting to various environments
- Excellent overload capacity allows the overload condition to continue within the timeframe
- External battery connector for easy scaling of longer backup time

Green with Low TCO

- Output power factor 0.9 provides more capacity to load
- Up to 90% online mode efficiency and 95% ECO mode efficiency contributes to significant energy cost savings
- Capable of working in harsh electrical environments with a wide input voltage range to minimize battery usage

Easy Management

- Convertible rack and tower configuration with rotatable LCD screen
- LCD display and intuitive interface offer effortless monitoring and configuration
- Intelligent management software connectivity via RS-232, mini slot or USB port for remote monitoring and setting



IT



Telecom



Industrial



Transportation



Financial



Government



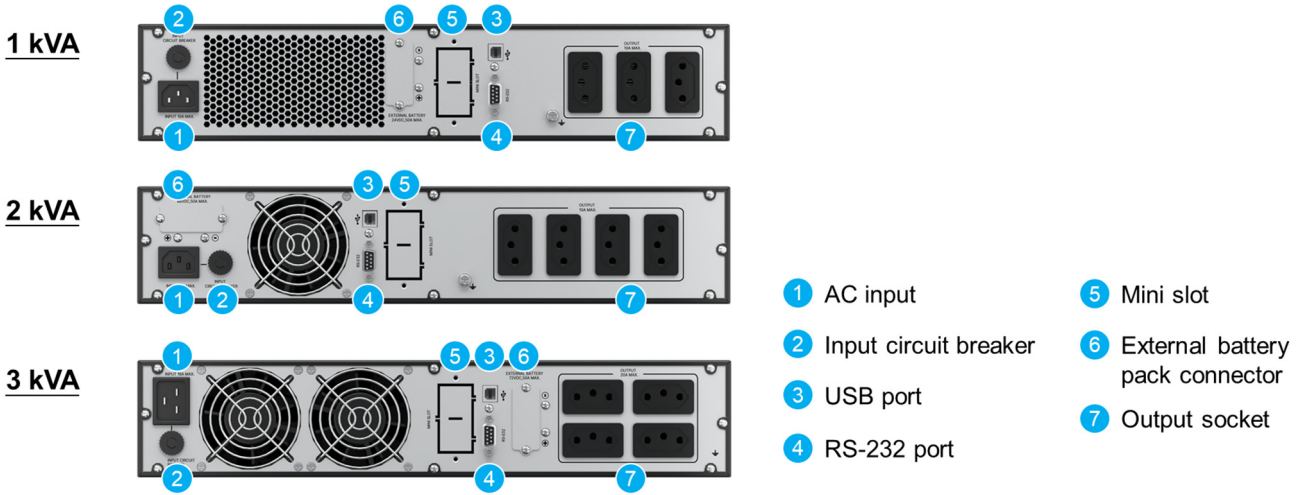
SME



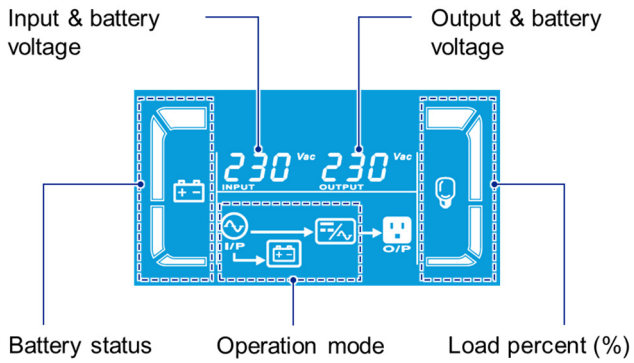
Retail



Rear Panel



LCD



Form Factor



Versatile rack/tower form factor with rotatable LCD screen.

Runtime Table

1 kVA

	90 W	180 W	270 W	360 W	450 W	540 W	630 W	720 W	810 W	900 W
UPS	57.5	26.9	16.8	11.9	9.1	7.3	6.1	3.5	3.5	3.1
UPS+1EBC	182.2	94.3	61.8	45.0	34.7	27.9	23.1	3.5	3.5	3.5
UPS+2EBC	310.6	163.7	109.2	80.8	63.5	51.8	43.4	3.5	3.5	3.5
UPS+3EBC	439.1	233.3	156.8	117.0	92.5	76.1	64.2	3.5	3.5	3.5
UPS+4EBC	567.7	302.9	204.5	153.2	121.7	100.5	85.2	3.5	3.5	3.5

2 kVA

	180 W	360 W	540 W	720 W	900 W	1080 W	1260 W	1440 W	1620 W	1800 W
UPS	61.1	28.3	17.7	12.5	9.5	7.7	6.5	3.5	3.5	3.3
UPS+1EBC	190.6	98.9	64.9	47.3	36.6	29.4	24.3	3.5	3.5	3.5
UPS+2EBC	324.8	171.6	114.6	84.9	66.7	54.5	45.7	3.5	3.5	3.5
UPS+3EBC	459.1	244.4	164.5	122.8	97.2	79.9	67.5	3.5	3.5	3.5
UPS+4EBC	593.3	317.3	214.4	160.8	127.8	105.5	89.5	3.5	3.5	3.5

3 kVA

	270 W	540 W	810 W	1080 W	1350 W	1620 W	1890 W	2160 W	2430 W	2700 W
UPS	67.1	29.4	18.1	12.5	10.3	8.2	6.9	3.5	3.5	3.5
UPS+1EBC	203.5	106.0	69.7	50.9	39.4	31.8	26.3	3.5	3.5	3.5
UPS+2EBC	346.5	183.7	122.9	91.2	71.7	58.6	49.2	3.5	3.5	3.5
UPS+3EBC	489.6	261.5	176.3	131.7	104.4	85.9	72.6	3.5	3.5	3.5
UPS+4EBC	632.8	339.4	229.7	172.4	137.2	113.4	96.2	3.5	3.5	3.5

Unit: min

(1) Up to 4 EBCs can be paralleled.

(2) Runtime table is estimated based on operation at 25 °C with batteries fully charged.

Technical Specifications

Model	RT-1K	RT-2K	RT-3K
Topology	Online double-conversion		
Power Rating	1 kVA 0.9 kW	2 kVA 1.8 kW	3 kVA 2.7 kW
INPUT			
Nominal Voltage	208 ⁽¹⁾ / 220/ 230/ 240 Vac, 1P2W+PE		
Voltage Range	180-280 Vac (100% load); 120-300 Vac (50-100% load)		
Frequency	40-70 Hz		
Power Factor	≥ 0.99 (100% load)		
Connection	IEC C14		IEC C20
OUTPUT			
Nominal Voltage	208 ⁽¹⁾ / 220/ 230/ 240 Vac, 1P2W+PE		
Voltage Regulation	±1%		
Frequency	50/60 Hz ± 0.5%		
Total Harmonic Distortion (THDv)	< 3% (linear load)		
Power Factor	0.9		
Connection	BR x3	BR x4	
Overload Capability	< 105-110%: 10 mins; 110-130%: 30 secs; 130-150%: 3 secs		
Current Crest Ratio	3:1		
EFFICIENCY			
Online Mode	88%		90%
ECO Mode	93%	94%	95%
BATTERY			
Battery Type	VRLA, inbuilt battery		
Nominal Voltage	24 Vdc	48 Vdc	72 Vdc
Quantity	2 pcs	4 pcs	6 pcs
Runtime	100% load 70% load	3.1 mins 6.1 mins	3.3 mins 6.5 mins
Charging Time	4 hours to 90%		
Parallel Configuration	Up to 4 EBCs		
Charge Current	1 A		
COMMUNICATION INTERFACE			
Display	LCD screen with LED indicators		
Port	USB, RS-232, Mini slot (option for MODBUS TCP/IP, SNMP)		
PHYSICAL			
Dimensions (W x D x H)	438 x 310 x 86 mm	438 x 410 x 86 mm	438 x 630 x 86 mm
Net Weight	10.6 kg	17.9 kg	26.6 kg
Packing Dimensions (W x D x H)	600 x 500 x 240 mm	565 x 700 x 240 mm	600 x 760 x 240 mm
Packing Weight	13.9 kg	22 kg	31.5 kg
ENVIRONMENT			
Operating Temperature	0 to 50 °C (40 to 50 °C de-rating to 70% load)		
Humidity	10-90% (non-condensing)		
Audible Noise	≤ 50 dBA		
Altitude	0-3,000 m (derating 1%/100m from 2,000-3,000 m)		
Storage Temperature	-20 to 50 °C		
Ingress Protection	IP20		
CONFORMANCE			
Safety	CE		
EMC	IEC 62040-2		
Sustainability	RoHS, REACH		

(1) De-rating to 70% load

All specifications are subject to change without prior notice.

Management Solution

UPSentry

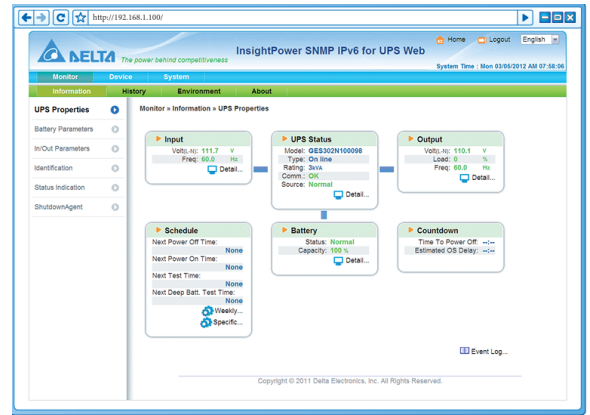
- Supports RS-232 & USB communication
- Schedules shutdown, restart and battery test
- Event tracking

ShutdownAgent

- Provides a graceful unattended shutdown of multiple computer systems over a network

SNMP IPv6 (optional)

- Remote UPS management from any workstation through internet or intranet
- UPS and system function configuration from any client (password protected)
- Event logs and data tracking



What's in the Box

Standard Accessories

RT Gen3 UPS	User manual
USB cable (1.5 m)	AC input cable with BR plug (1.5 m)
Ear kit and tower stand	ShutdownAgent software
UPSentry software	



More Product Information

Optional Accessories

External Battery Cabinet

External Battery Cabinet	Net Dimensions (W x D x H)	Net Weight	Packing Dimensions (W x D x H)	Packing Weight
RT-1K External Battery Cabinet (Part number: BBA022B2009035)	480 x 380 x 86 mm	16 kg	600 x 500 x 240 mm	18.1 kg
RT-2K External Battery Cabinet (Part number: BBA042B5009035)	438 x 480 x 86 mm	28.6 kg	700 x 565 x 240 mm	31.5 kg
RT-3K External Battery Cabinet (Part number: BBA062B6009035)	430 x 600 x 86 mm	45.1 kg	760 x 600 x 240 mm	48.1 kg

UPS Management Accessories

Mini SNMP IPv6 (Part number: SCMS100035)	Manages UPS and system functions securely and adjusts parameters through SNMP management stations or internet browsers using HTTP forms.
Mini Relay I/O Card (Part number: 3915101864-S)	Offers 6 relay output contacts to monitor status and 2 input contacts for simple shutdown and battery testing in UPS management.
Mini Modbus Card (Part number: 3915101865-S)	Supports Modbus communication with a PC via RS-485 and RS-232 interfaces, allowing for flexible and simultaneous use.

Installation

Rail Kit (Part number: 3915100011-S) Max weight: 40 kg (Part number: 3798D000100008-S35) Max weight: 70 kg	Mount UPS and External Battery Cabinet within a 19" rack.
--	---

